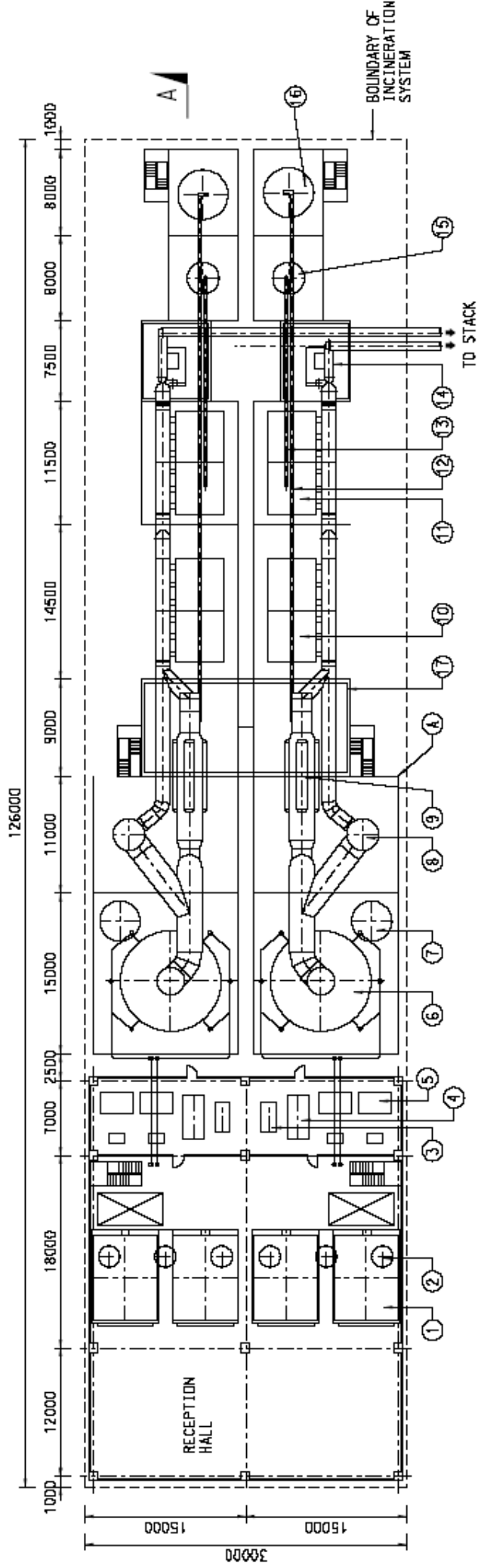


NOTES:

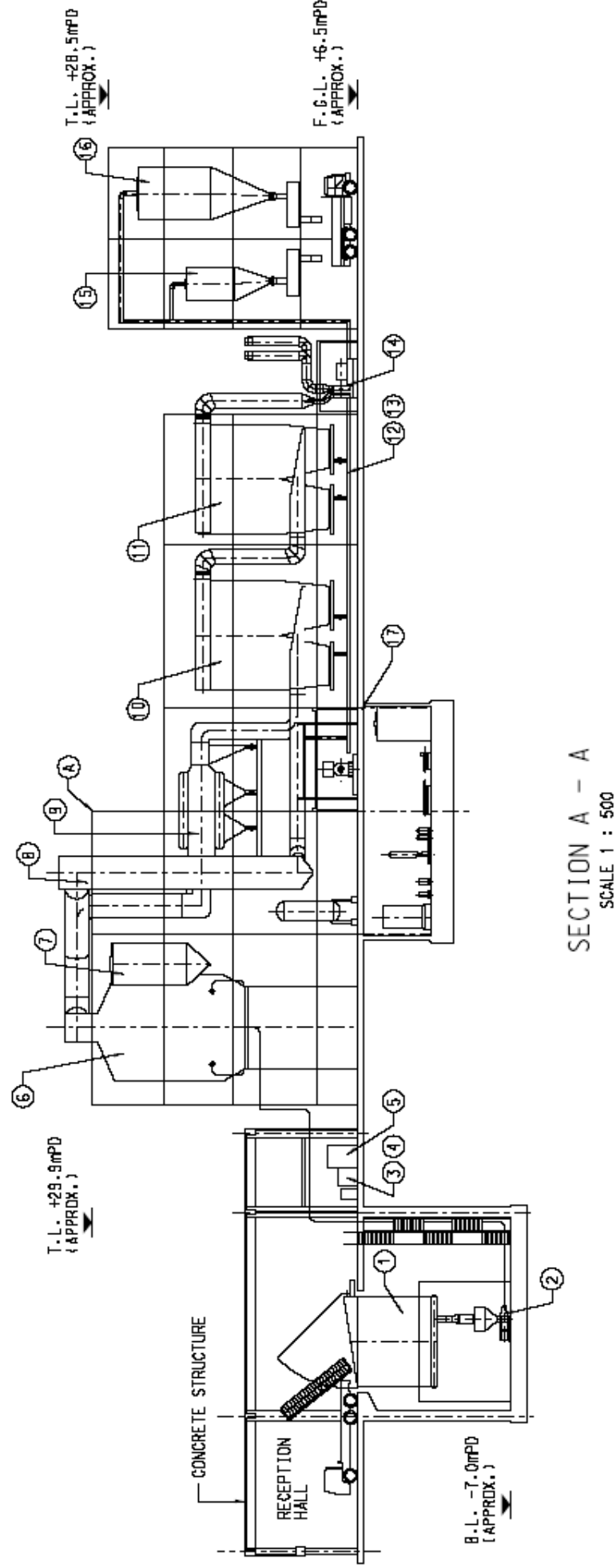
1. ALL DIMENSIONS ARE IN MILLIMETERS UNLESS OTHERWISE STATED.
2. ALL LEVELS ARE IN METERS AND REFER TO PRINCIPLE DATUM.
3. F.G.L. DENOTES FINISHED GROUND LEVEL.
4. T.L. DENOTES TOP LEVEL.
5. B.L. DENOTES BOTTOM LEVEL.
6. FOUNDATION NOT SHOWN FOR CLARITY.



TYPICAL ARRANGEMENT OF INCINERATION SYSTEM

SCALE 1 : 500

| EQUIPMENT | NO. |
|---|-----|
| SLUDGE HOPPER | 1 |
| SLUDGE FEED PUMP | 2 |
| BURNER FAN | 3 |
| FLUIDIZED AIR BLOWER | 4 |
| COMPRESSOR | 5 |
| FLUIDIZED BED TYPE INCINERATOR | 6 |
| SAND HOPPER | 7 |
| AIR HEATER | 8 |
| WASTE HEAT BOILER | 9 |
| BAG FILTER FOR DUST COLLECTION | 10 |
| BAG FILTER FOR FLUE GAS TREATMENT | 11 |
| ASH DISCHARGE CONVEYER | 12 |
| RESIDUE CONVEYER | 13 |
| INDUCED DRAFT FAN | 14 |
| RESIDUE HOPPER | 15 |
| ASH HOPPER | 16 |
| TURBINE GENERATOR AND BOILER WATER SYSTEM | 17 |
| SUPER STRUCTURE | A |



SECTION A - A

SCALE 1 : 500